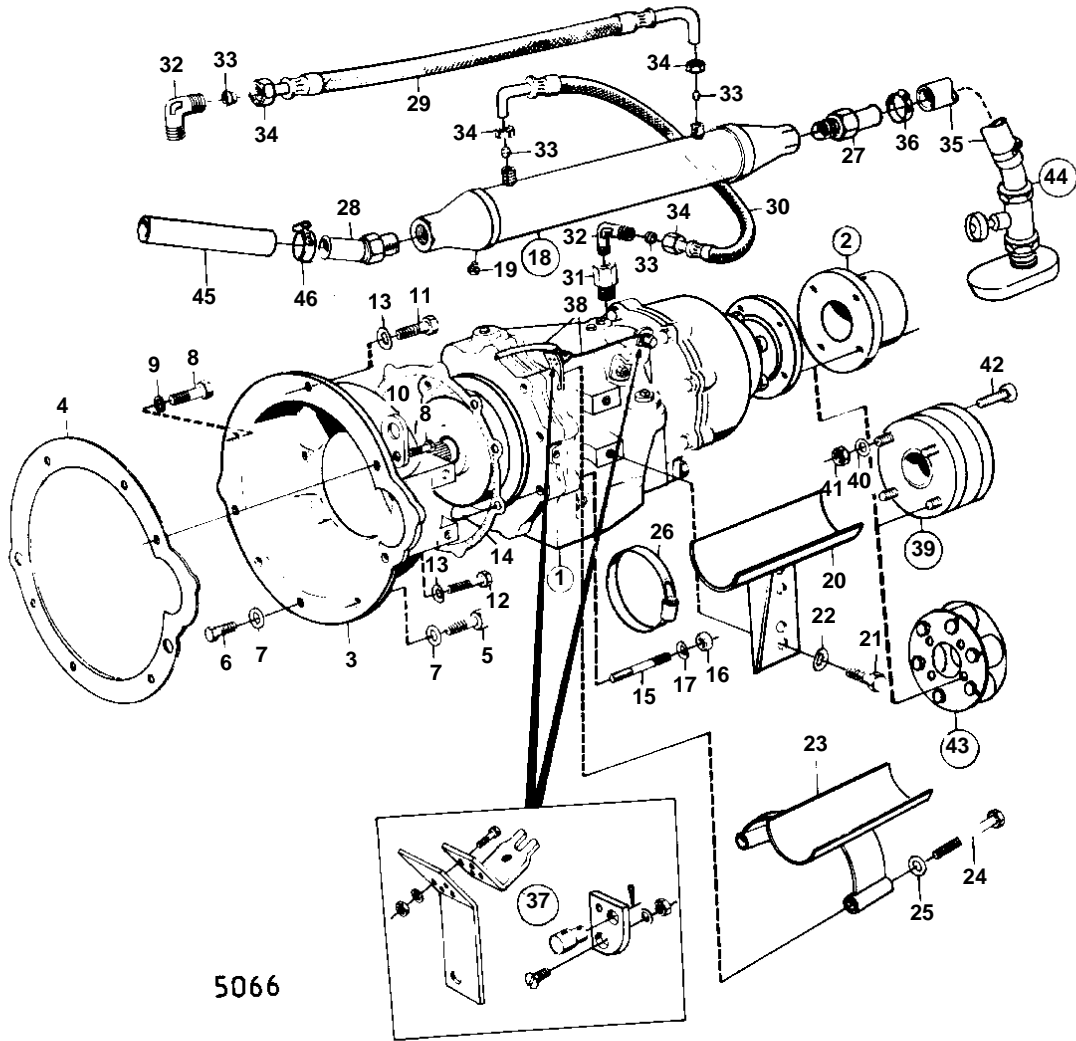


MD21A



MD21A

REF	PART NO.	QTY	DESCRIPTION	NOTES
1		1		4" PROPELLER SHAFT FLANGE.
		1	5:1	4" PROPELLER SHAFT FLANGE., BW AS2-71CR
		1	91:1	REPLACED BY REVERSE GEAR 834707, FLANGE 819105., 4" PROPELLER SHAFT FLANGE., BW AS7-71CR
		1	91:1	5" PROPELLER SHAFT FLANGE., BW AS7-71CR
		1	1:1	REPLACED BY REVERSE GEAR 834708, FLANGE 819105., 4" PROPELLER SHAFT FLANGE., BW AS3-71CR
		1	1:1	5" PROPELLER SHAFT FLANGE., BW AS3-71CR
		1	91:1	REPLACED BY REVERSE GEAR 834709., 5" PROPELLER SHAFT FLANGE., BW AS15-71CR
		1	91:1	5" PROPELLER SHAFT FLANGE., BW AS15-71CR
			· COMPONENTS	
2		1	PROPELLER SHAFT FLANGE	SEE GROUP 9
3		1	Flywheel housing	
4	826765	1	Gasket	SEE GROUP 2A
5	940142	2	Hexagon screw	L = 30 MM
6	955297	1	Hexagon screw	L = 25 MM
7	955894	3	Washer	
8	955318	2	Hexagon screw	L = 30 MM
9	955895	1	Washer	
10		1	LIFT EYE	SEE GROUP 2A
11	959667	1	Hexagon screw	L = 50 MM SEE GROUP 2A
12		2	Hexagon screw	L = 70 MM SEE GROUP 2A
13	940280	3	Spring washer	SEE GROUP 2A
14		1	Gasket	
15		6	Stud	EARLY TYPE
		4	Stud	LATE TYPE
16	955783	5	Hexagon nut	EARLY TYPE
	955791	1	Hexagon nut	EARLY TYPE
	955783	4	Hexagon nut	LATE TYPE
17	941908	6	Spring washer	EARLY TYPE
	941908	4	Spring washer	LATE TYPE
18		1	Oil cooler	
19	180759	2	Plug	
20		1	Bracket	EARLY TYPE
21	955547	2	Hexagon screw	EARLY TYPE
22	941909	2	Spring washer	EARLY TYPE
23		1	Bracket	LATE TYPE
24	955334	2	Hexagon screw	LATE TYPE
25	960148	2	Washer	LATE TYPE
26	943478	2	Hose clamp	(951794)
27		1	Hose attachment	
28		1	Hose attachment, HOSE CONNECTION	MO-XXXX/103386
				SEE GROUP 2B
		1	Elbow nipple, NIPPLE	MOXXXX/103387-
				SEE GROUP 2B
29		1	Hose	L = 500 MM EARLY TYPE
		1	Hose assembly	L = 360 MM LATE TYPE
30		1	Hose assembly	L = 360 MM
31	804533	1	Nipple	
32	941757	4	Elbow nipple	EARLY TYPE
	941757	2	Elbow nipple	LATE TYPE
33	956970	4	Ferrule	
34	956984	4	Fitting nut	
35	941799	X	Hose	L = 1000 MM
36	961669	2	Hose clamp	
37		1	BRACKET KIT	SPEC 867091, 867142.
38		X	CONTROL CABLE	SEE GROUP 9
39		1	Elastic coupling	FOR REVERSE GEAR RATIO 2,91:1, PREDRILLED.
40	941909	4	· Spring washer	
41	940157	4	· Hexagon nut	
42	959241	6	· Hex. socket screw	

